

KLS martin
GROUP



Maximum Flexibility

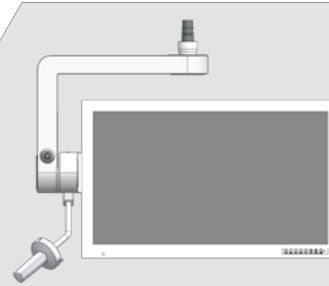
marView 32" Monitor Suspension Arm



For universal use

The marView monitor suspension arm can be adjusted to fit various sizes of monitors.

The swiveling action is very smooth due to its neutral center of gravity suspension.



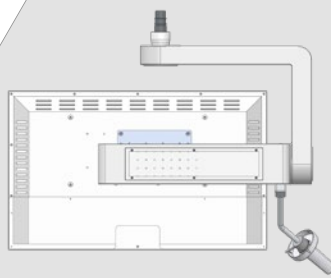
For monitors up to a screen diagonal of 32 inches.

Our high-quality monitor bracket ensures that the displays are mounted securely and conveniently.

The monitors are mounted via the mechanical interface VESA 100 / 200.

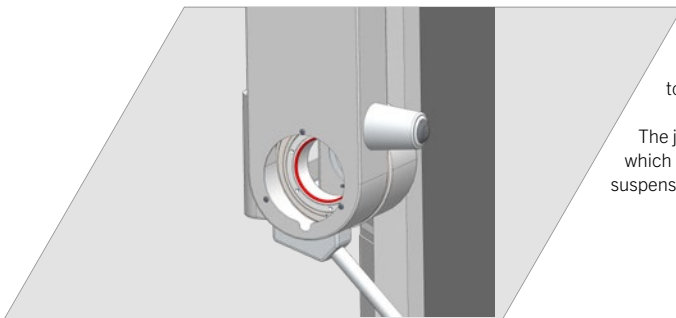
The adjustment force can be adjusted individually via the integrated friction brakes.

The large mounting frame allows the integration of power units and other modules.



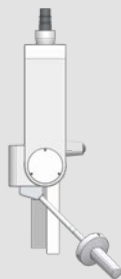
The marView features wide cable ducts to accommodate cables with large cross-sections to be passed through. This allows the cables to be integrated inside the suspension.

The joints of the marView are ball bearing mounted, which ensures extremely smooth positioning of the suspension.

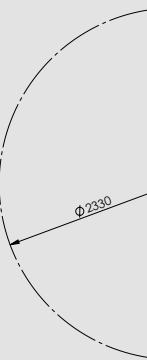


The marView can be operated sterile by means of a removable and sterilizable handle or a single-use handle.

Its unique design offers the ideal conditions for cleaning. It meets all hygienic requirements due to its smooth surfaces. In addition, the one-sided suspension allows attaching a sterile cover over the entire monitor.



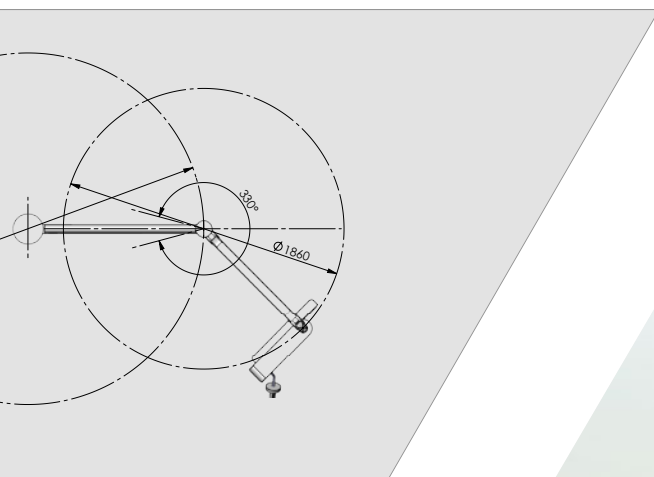
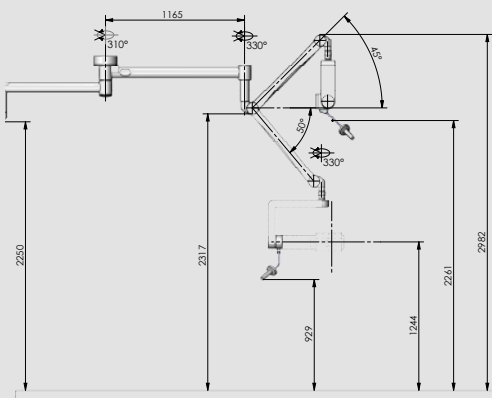
Ø 2330



Technical data

Technical data marView 32"

Weight	approx. 10 kg	Compatibility	operating lights marLED®
Possible load capacity (monitor)	F = 17 kg	Conformity	CE
Monitor mounting standards	VESA100 / VESA200	Video signal	customer-specific
Monitor sizes	21 to 32 inches	Protective conductor terminal	see lights
Cable routing	internal	Protection class	I according to IEC 60601-1
Axes of motion	vertical, horizontal	Operating ambient conditions	
Positioning of monitor	neutral center of gravity	Temperature	+5 to +40°C
Adaption option for spring arm	AC2000 and AC3000	Relative humidity	30 – 80%
Limit stops / stops in all joints		Atmospheric pressure min.	min. 540 – 1,060 hPa
Ingress protection	IP20	Max. operating altitude	5,000 m above sea level
Possible installation space for monitor SNT	available 400 x 100 x 50 mm	Ambient conditions transport / storage	
Monitor tilt angle	± 90°	Temperature	-10 to +50°C
Power supply optional	customer-specific	Relative humidity	20 – 90%
Monitor adjustment	via handle with sterilizable grip sleeve or handle for sterile single-use cover		



- The benefits at a glance**
- Wide range of movement
 - Large radius of action
 - Extremely flexible positioning
 - Easy panning



KLS Martin Group

KLS Martin Australia Pty Ltd.

Sydney · Australia
Tel.: +61 2 9439 5316
australia@klsmartin.com

Martin Italia S.r.l.

Milan · Italy
Tel. +39 039 605 67 31
italia@klsmartin.com

Gebrüder Martin GmbH & Co. KG

Moscow · Russia
Tel. +7 499 792-76-19
russia@klsmartin.com

KLS Martin do Brasil Ltda.

São Paulo · Brazil
Tel.: +55 11 3554 2299
brazil@klsmartin.com

Nippon Martin K.K.

Tokyo · Japan
Tel. +81 3 3814 1431
nippon@klsmartin.com

Gebrüder Martin GmbH & Co. KG

Dubai · United Arab Emirates
Tel. +971 4 454 16 55
middleeast@klsmartin.com

Gebrüder Martin GmbH & Co. KG

Shanghai · China
Tel. +86 21 5820 6251
china@klsmartin.com

KLS Martin SE Asia Sdn. Bhd.

Penang · Malaysia
Tel.: +604 505 7838
malaysia@klsmartin.com

KLS Martin UK Ltd.

London · United Kingdom
Tel. +44 1189 000 570
uk@klsmartin.com

KLS Martin India Pvt Ltd.

Pallavaram · India
Tel. +91 44 66 442 300
india@klsmartin.com

Martin Nederland/Marned B.V.

Huizen · Netherlands
Tel. +31 35 523 45 38
nederland@klsmartin.com

KLS Martin LP

Jacksonville · Florida, USA
Tel. +1 904 641 77 46
usa@klsmartin.com

Gebrüder Martin GmbH & Co. KG

A company of the KLS Martin Group

KLS Martin Platz 1 · 78532 Tuttlingen · Germany
P.O. Box 60 · 78501 Tuttlingen · Germany
Tel. +49 7461 706-0 · Fax +49 7461 706-193
info@klsmartin.com · www.klsmartin.com

